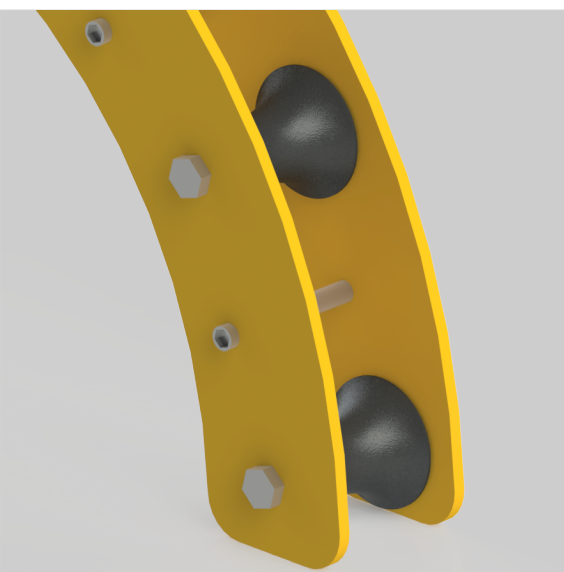
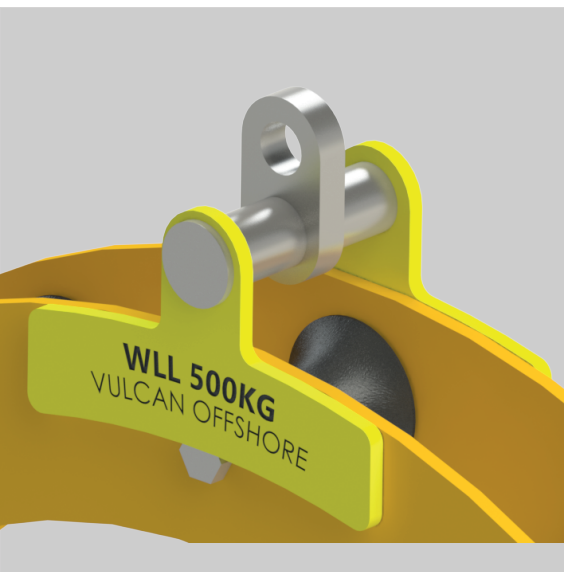


Offshore Cable Sheave

cable sheave used to support umbilicals and cable for various subsea vehicles and cable projects



Vulcan Offshore have developed a range of Cable Sheaves designed for Offshore operations. With various WLLs and MBRs available they are suitable for multiple applications. Each sheave is designed and engineered to the highest standards.

Applications:

- Fiber Optic Transpooling
- Umbilical cable deployment
- Beach pull-in

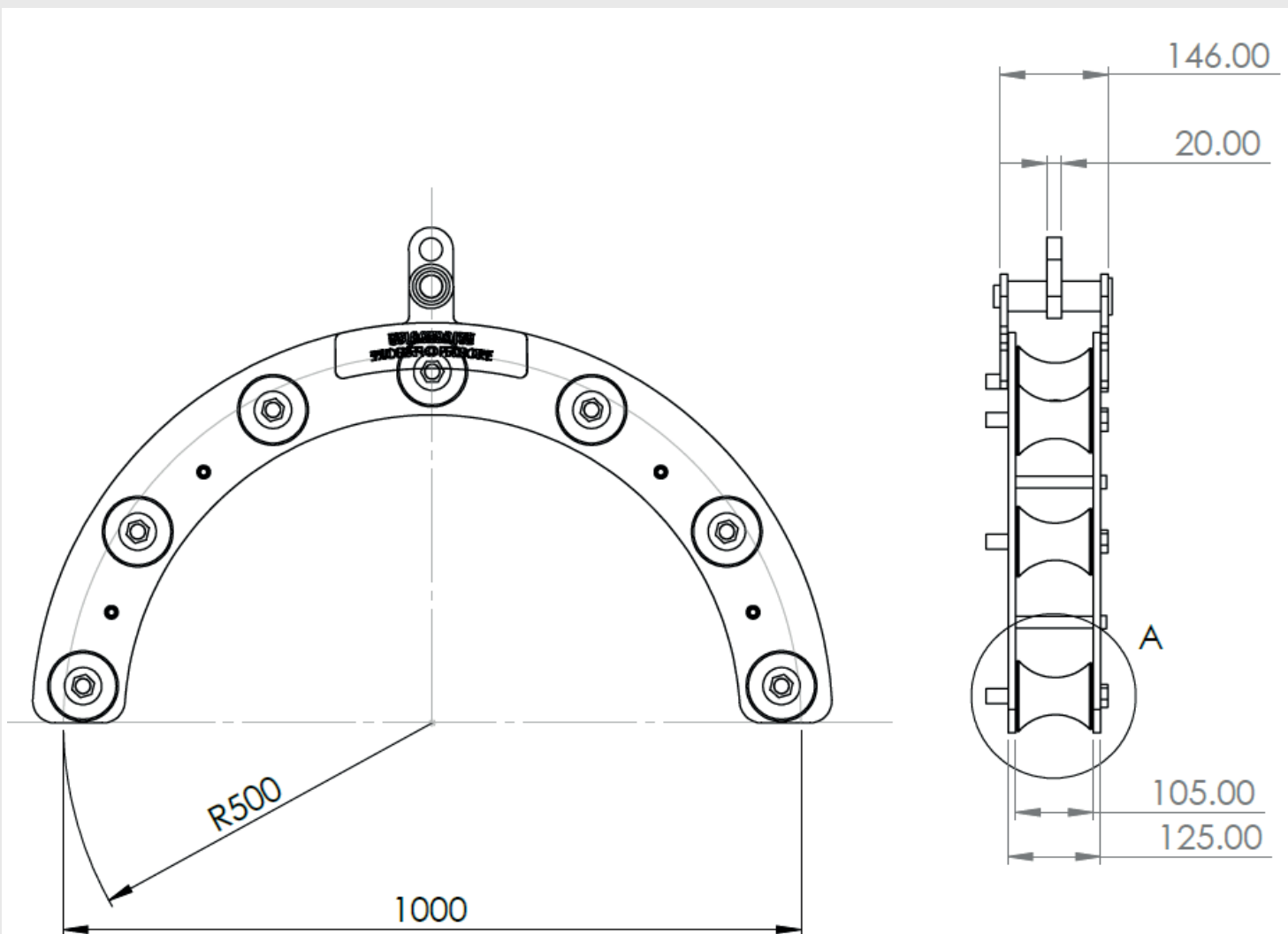
Features:

- Standard Crosby shackle lift point
- Easily cable insertion with removal of pin
- Easily serviceable
- Acetal rollers
- Proof load tested lifting points
- Stainless Steel rollers shafts
- Structural steel construction (S355)



Offshore Cable Sheave

dimensions



Available in different standard sizes and custom sizes. Standard sizes include:

R250 - 1001-1014

R500 - 1001-1015

R750 - 1001-1016

